

THE GOAL

To win a **GOLD** medal for the US at the 2008 Olympic Summer Games in Qingdao, China

To do that, we have to win the **US Olympic Trials**, which will be completed in February 2008. Preparing for such a top notch competition is a balancing act between training, racing, and fundraising. Sailing is one of the most equipment intensive Olympic sports, and a winning program requires substantial funding. It also requires expertise in racing, and that can only be achieved by time on the water, expert coaching, and relentless attention to detail.

THE TEAM

Team Cronin was started in 2001 by Carol Cronin in her successful bid to represent the US at the 2004 Summer Olympics in Athens, Greece. In 2006 Carol joined forces with two new teammates, and after only eight days of sailing together the team was ranked 3rd on the US Sailing Team.



Carol Cronin (helm)



Carol grew up sailing and racing with her family in New England and around the world, and went on to sail competitively at Connecticut College. She has several national and international titles to her credit, and won two races for the US at the 2004 Olympics. Carol lives in Jamestown, RI with her husband Paul, and runs a graphic design and writing business.

Kim Couranz (middle)



Kim is an experienced crew, from dinghies to keelboats to big boats, and she is a two-time winner of the Women's Snipe Nationals. A graduate of Brown University, she lives in Annapolis, MD with her husband, Ted Morgan.

Margaret Podlich (forward)



Margaret is highly accomplished as both skipper and crew. She has steered five Rolex Women's International Keelboat Championships and finished fifth in 2001. She lives in Annapolis, MD with her husband Steve and their two children, Sophie and Ben.

THE BOAT

The 21' Yngling (pronounced "ING-ling") was designed in 1967 as a training platform for smaller sailors, and the class made its

YINGLING SPECS

Length:	20'10"
Width:	5'8"
Draft:	3'5"
Weight:	1,422 lbs.
Sail Area (main and jib):	150 sq. ft

Olympic debut in 2004 as the equipment for the Women's Keelboat discipline. With a main, jib, spinnaker, and a variety of sail controls, the boat is easily handled by three crew.



SPONSORSHIP LEVELS

TITLE SPONSORSHIP – Annual Budget – EXCLUSIVE naming rights and signage

- Signage on boat hull, covers, sails, van, and team gear
- We will rename our team and will enter events under our corporate name
- We will be referred to as the “Corporate Team” in all press coverage
- Our team website (www.teamcronin.org) will be renamed for our sponsor and provide links to pertinent sites
- Our regular newsletters (sent to over 500 contributors) will prominently display our corporate name
- Professional photos showing us sailing under the corporate logo for corporate use can be provided
- We are available for inspirational and team building sessions

SPINNAKER SPONSORSHIP – \$25K

- Signage on Spinnaker
- Acknowledgment on website and in newsletter
- Professional photo showing the team under sail with logo

MAINSAIL SPONSORSHIP – \$10K

- Signage on Mainsail
- Acknowledgment on website and in newsletter
- Professional photo showing the team under sail with logo

HULL SPONSORSHIP – \$5K

- Signage on Hull
- Acknowledgment on website and in newsletter
- Professional photo showing the team under sail with logo

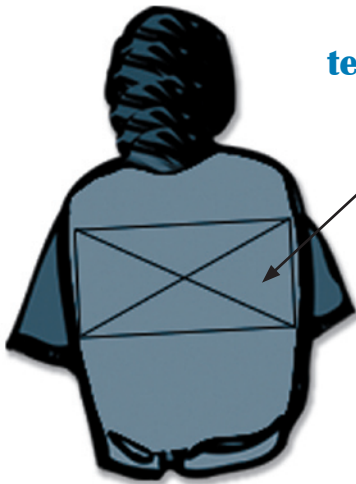
Logo location details are on page 3.

In addition to these annual packages, we are happy to work with you to meet your company’s individual needs.

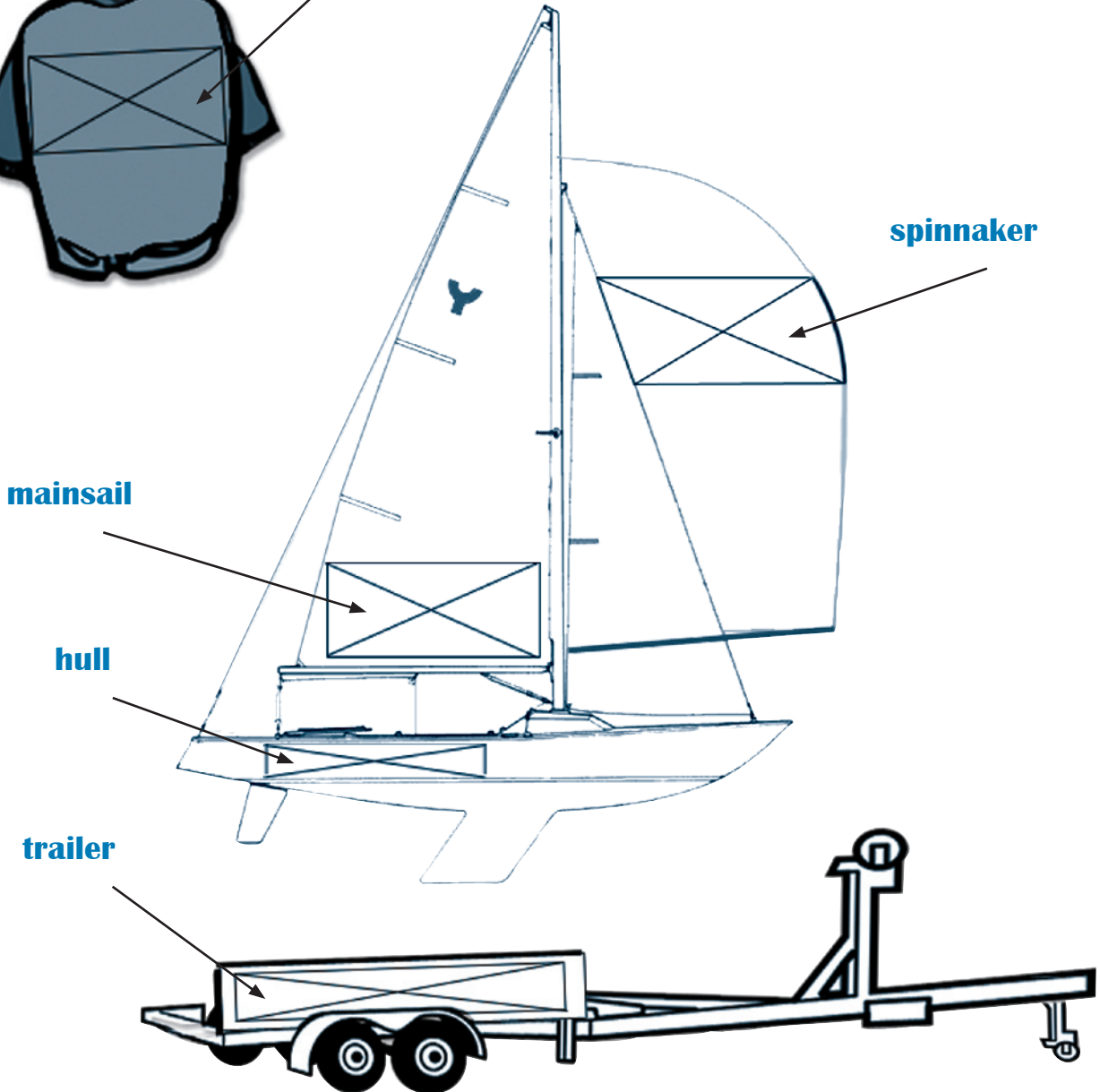


ADVERTISING LOCATIONS

space may also be available on our
coach boat and van



team gear



mainsail

hull

trailer

spinnaker

RECENT EVENTS

2006

January 21-27	Rolex Miami Olympic Classes	Miami, FL	8th
July 1-8	Yngling Worlds	La Rochelle, FRANCE	7th
August 18-31	Olympic Test Event	Qingdao, CHINA	10th

FUTURE EVENTS

2007 HIGHLIGHTS

Jan 13-14	Low Key Regatta	Miami, FL
Jan 22-27	Miami Olympic Classes Regatta	Miami, FL
Feb 1-4	Women's Keelboat North Americans	Miami, FL
March	Training Camp	Miami, FL
April 1-7	Princessa Sofia	Palma de Mallorca, SPAIN
April 22-28	Semaine Olympique Francaise	Hyeres, FRANCE
May 24-27	Holland Regatta	Medemblik, NETHERLANDS
June 28-July 13	ISAF Worlds (Olympic Country Qualifier)	Cascais, PORTUGAL
August 18-31	Pre-Olympics	Qingdao, CHINA
September 11-23	Training Camp	Newport, RI
December 3-7	Training Camp	Miami, FL

2008 HIGHLIGHTS

Feb 5-15	Yngling Worlds (Trials Event)	Miami, FL
August 12-29	2008 Olympics	Qingdao, CHINA

Thank you for your interest in our team, and please contact one of us if you need more information. We look forward to working together to improve your company's visibility!



SAILING PHOTOS COURTESY OF WALTER COOPER/US SAILING